

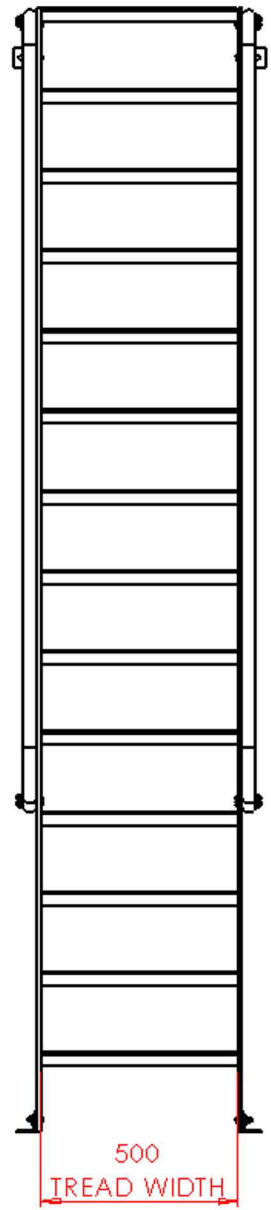
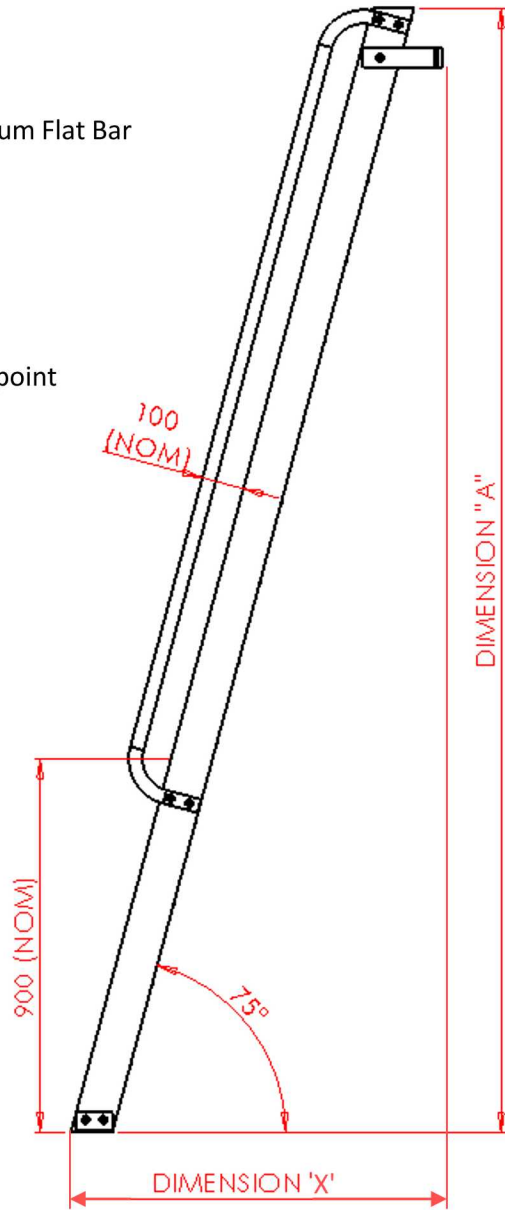
# Bilco: BL-COMPA: Aluminium Companionway Up to 3m

## Approval Drawing

BS5395: Part 3 & BS4211:2005 + A1 2008

### Companionway Ladder Specifications

- Aluminium Stiles: 101.6 x 9.5mm Flat Bar
- Treads: Aluminium folded chequerplate
- Stand off brackets: 50.8 x 9.5mm Aluminium Flat Bar
- Fixings in stainless steel A2 grade
- Finish: Mill finish aluminium
- Grabrail height: 100mm (nom)
- Tread Width: 500mm
- Width Over Handrails: 600mm (nom)
- Ladder Angle: 75 degree
- Ladder to be fixed into floor and step off point



Bilco UK Ltd.  
 Park Farm Business Centre  
 Fornham St. Genevieve  
 Bury St. Edmunds  
 Suffolk  
 IP28 6TS

**Contact us:**

Fax 01284 702 531  
 Tel 01284 701 696  
 Email bilcouk@bilco.com  
 Web www.bilcouk.co.uk

Project Title:	
Dimension 'A':	
Dimension 'X' (Max):	
Customer Name:	
Order Number:	
Date:	
Additional Comments	
I confirm the above information is correct and that our order shall be manufactured to these sizes:	Signed:.....