

# Freestanding Step Over Unit



CODE: BP45-A-FS

## SPECIFICATIONS - Aluminium

### Ladder

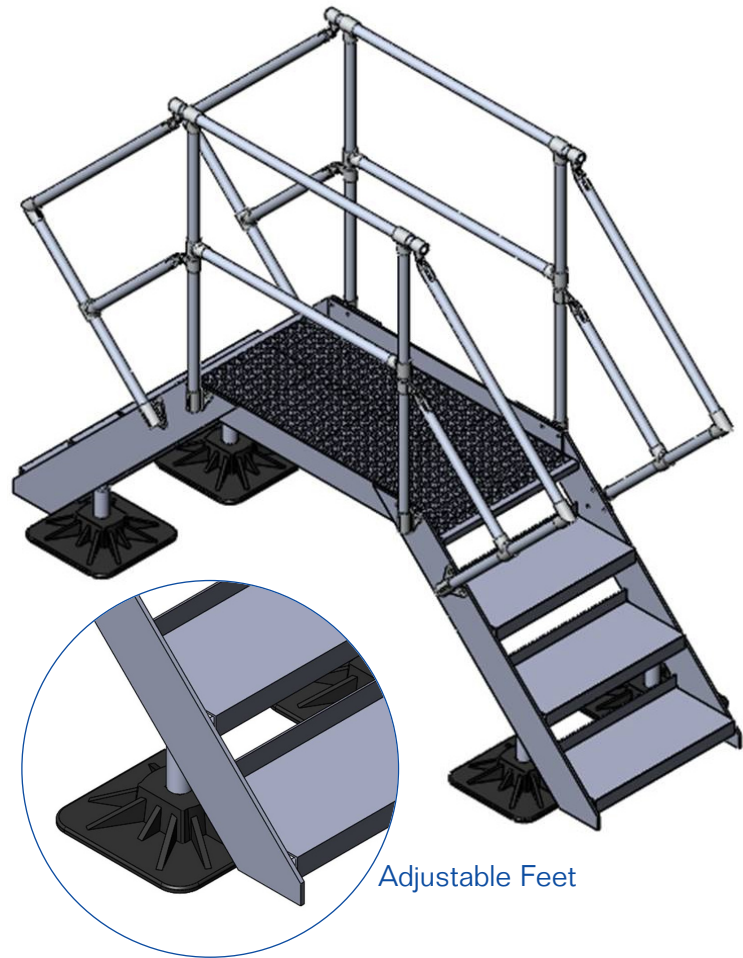
- Aluminium Stiles
- Aluminium folded chequerplate treads
- Fixings in stainless steel A4 grade
- All alloy in mill finish
- Handrail height: 900mm (nom)
- Overall Ladder Width: 600mm
- Ladder Angle: 45 degree (nom)

### Platform

- Construction: Aluminium section
- Platform to have handrails to both sides
- Platform Deck: Open mesh GRP

### Handrail

- Height: 1100mm above surface of decking
- Top Rail: 35mm diameter tube
- Midrail: 35mm diameter tube
- All internal fixings to be dome
- Handrails to be fitted to both sides of platform
- Finish: Mill finish aluminium



Adjustable Feet

CODE: BP45-S-FS

## SPECIFICATIONS - Galvanised Steel

### Ladder

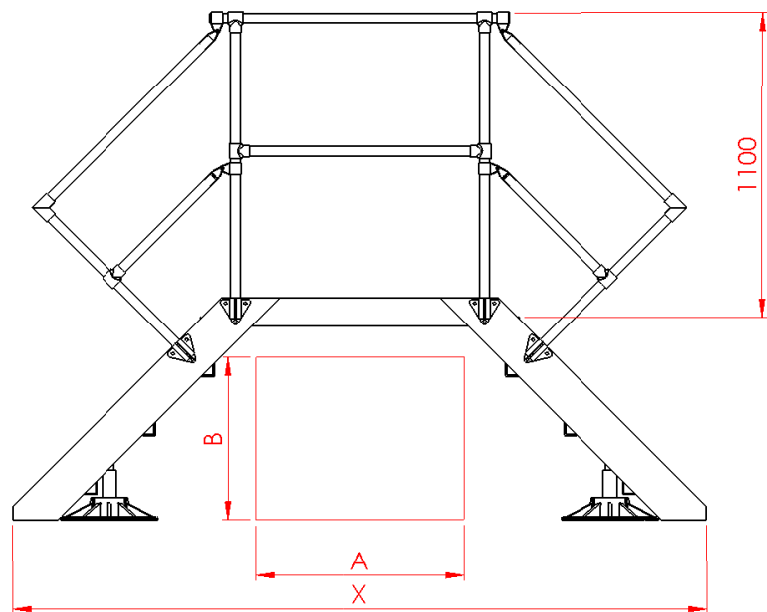
- Steel flat plate stiles
- Steel folded plate treads
- Fixings in stainless steel A4 grade
- Finish: Galvanised
- Handrail height: 900mm (nom)
- Overall Ladder Width: 600mm
- Ladder Angle: 45 degree (nom)

### Platform

- Construction: Steel extrusion
- Platform to have handrails to both sides
- Platform Deck: Open mesh GRP

### Handrail

- Height: 1100mm above surface of decking
- Top Rail: 35mm diameter tube
- Midrail: 35mm diameter tube
- All internal fixings to be dome
- Handrails to be fitted to both sides of platform
- Finish: Galvanised



Bilco products are designed and fabricated to consistently high quality standards to ensure complete customer satisfaction.



THE WORLDWIDE SOURCE FOR SPECIALITY ACCESS PRODUCTS



Tel: 01284 701696 Fax: 01284 702531  
Email: bilcouk@bilco.com www.bilcouk.com