

# Fixed Step Over Unit



CODE: BP45-A-F

## SPECIFICATIONS - Aluminium

### Ladder

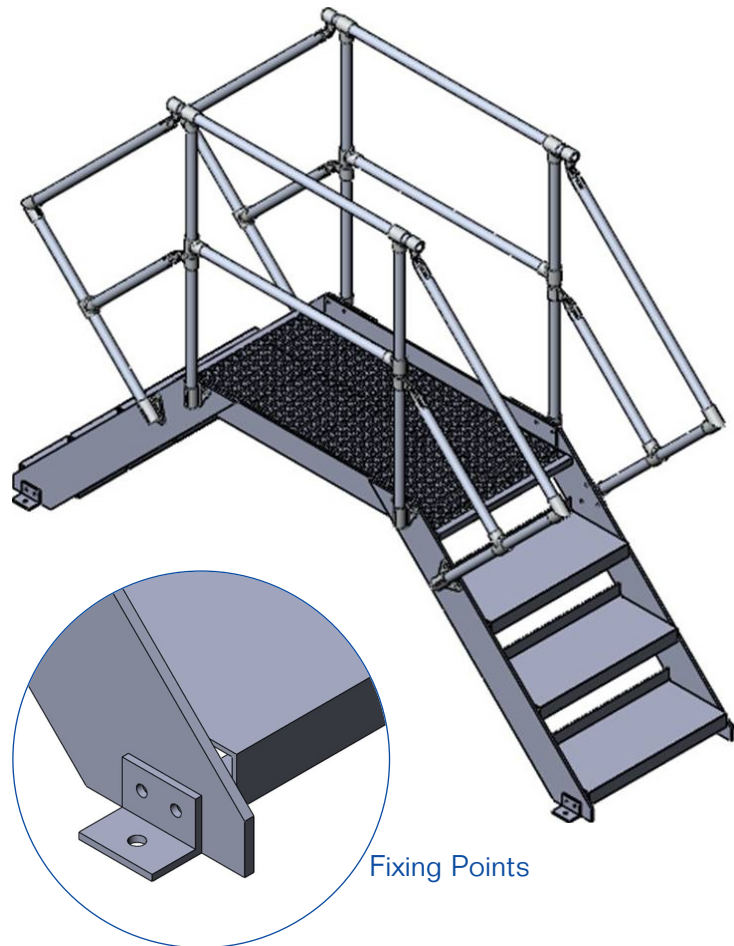
Aluminium Stiles  
 Aluminium folded chequerplate treads  
 Fixings in stainless steel A4 grade  
 All alloy in mill finish  
 Handrail height: 900mm (nom)  
 Overall Ladder Width: 600mm  
 Ladder Angle: 45 degree (nom)

### Platform

Construction: Aluminium section  
 Platform to have handrails to both sides  
 Platform Deck: Open mesh GRP

### Handrail

Height: 1100mm above surface of decking  
 Top Rail: 35mm diameter tube  
 Midrail: 35mm diameter tube  
 All internal fixings to be dome  
 Handrails to be fitted to both sides of platform  
 Finish: Mill finish aluminium



Fixing Points

CODE: BP45-S-F

## SPECIFICATIONS - Galvanised Steel

### Ladder

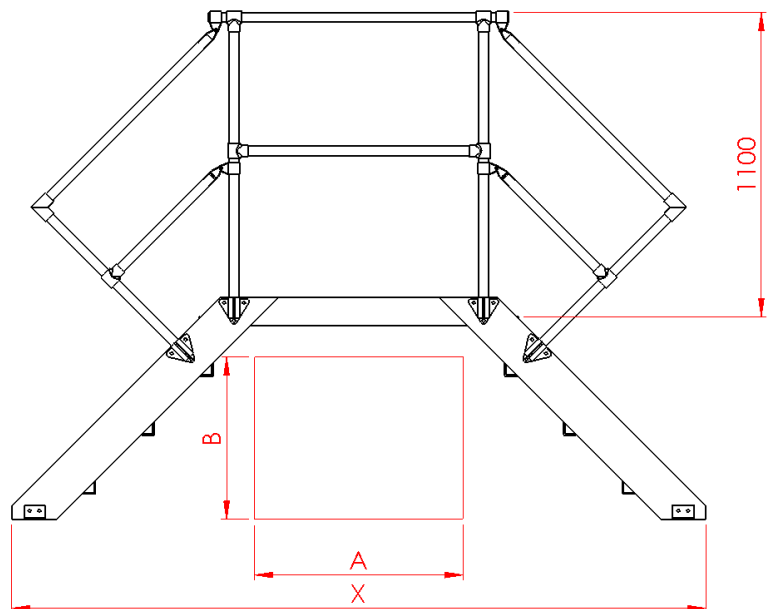
Steel flat plate stiles  
 Steel folded plate treads  
 Fixings in stainless steel A4 grade  
 Finish: Galvanised  
 Handrail height: 900mm (nom)  
 Overall Ladder Width: 600mm  
 Ladder Angle: 45 degree (nom)

### Platform

Construction: Steel extrusion  
 Platform to have handrails to both sides  
 Platform Deck: Open mesh GRP

### Handrail

Height: 1100mm above surface of decking  
 Top Rail: 35mm diameter tube  
 Midrail: 35mm diameter tube  
 All internal fixings to be dome  
 Handrails to be fitted to both sides of platform  
 Finish: Galvanised



Bilco products are designed and fabricated to consistently high quality standards to ensure complete customer satisfaction.



THE WORLDWIDE SOURCE FOR SPECIALITY ACCESS PRODUCTS



Tel: 01284 701696 Fax: 01284 702531  
 Email: bilcouk@bilco.com www.bilcouk.com