

# BILCO BP45-S-FS GALVANISED STEEL FREESTANDING STEP OVER UNIT

## Ladder Specifications

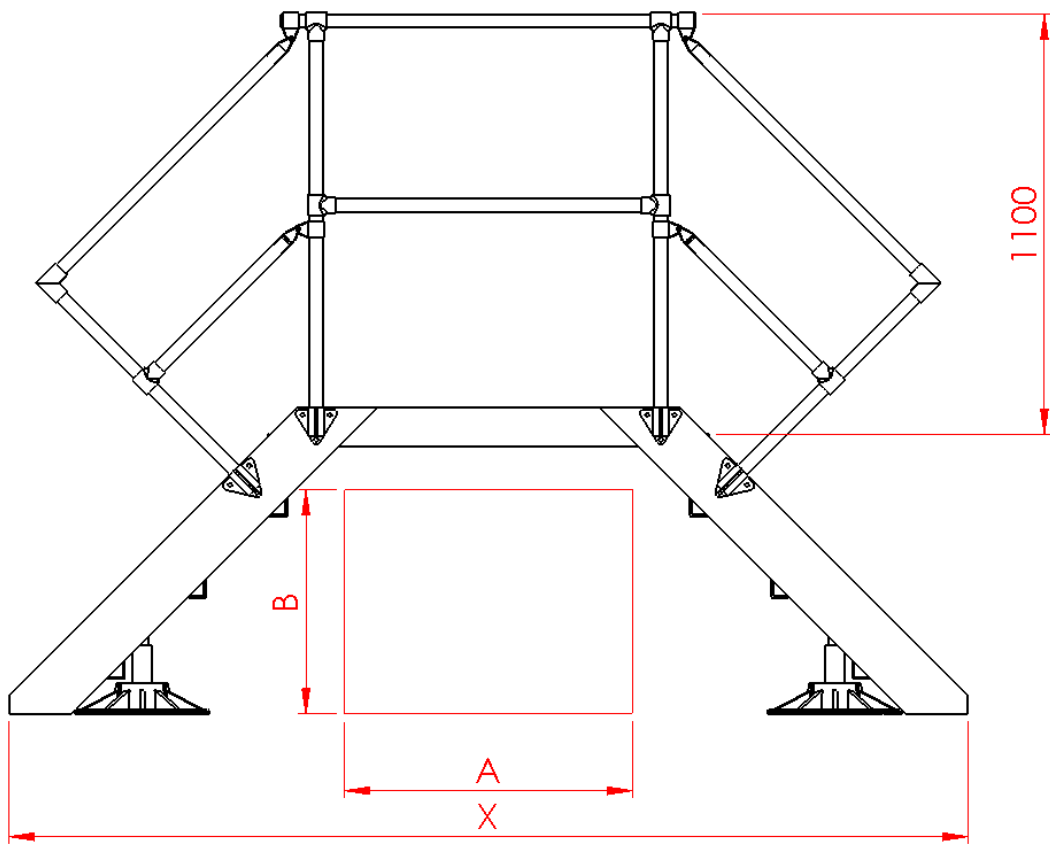
- Steel flat plate stiles
- Steel folded plate treads
- Fixings in stainless steel A4 grade
- Finish: Galvanised
- Handrail height: 900mm (nom)
- Overall Ladder Width: 600mm
- Ladder Angle: 45 degree (nom)

## Platform Specification

- Construction: Steel extrusion
- Platform to have handrails to both sides
- Platform Deck: Open mesh GRP

## Handrail Specifications:

- Height: 1100mm above surface of decking
- Top Rail: 35mm diameter tube
- Midrail: 35mm diameter tube
- All internal fixings to be dome
- Handrails to be fitted to both sides of platform
- Finish: Galvanised



Bilco UK Ltd.  
 Park Farm Business Centre  
 Fornham St. Genevieve  
 Bury St. Edmunds  
 Suffolk  
 IP28 6TS

### Contact us:

Tel 01284 701696  
 Fax 01284 702531  
 E-mail [bilcoulk@bilco.com](mailto:bilcoulk@bilco.com)  
 Web [www.bilcoulk@bilco.com](http://www.bilcoulk@bilco.com)

Project Title:	
Dimension 'A':	
Dimension 'B':	
Dimension 'X' (Max):	
Customer Name:	
Order Number:	
Date:	
Additional Comments	
I confirm the above information is correct and that our order shall be manufactured to these sizes:	Signed:.....